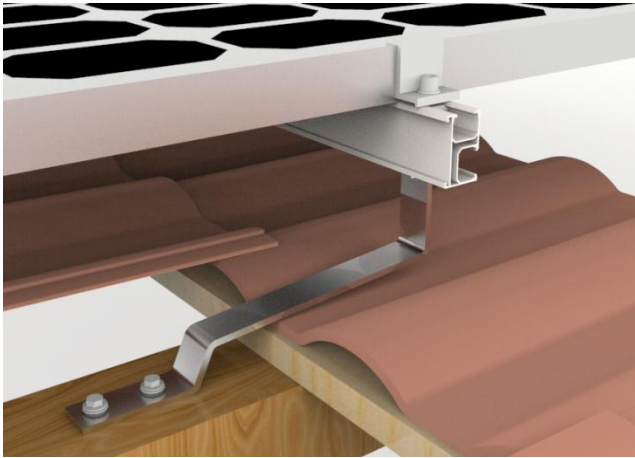


Flat Tile Roof Mount



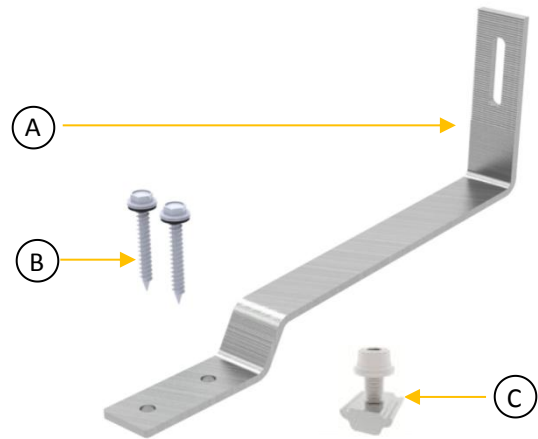
Flat Tile Hook offers the best and easiest solution when install a solar system on cement or flat tile roof.

Features

1. Accommodate different types of flat tile roofs
2. Made of SUS 304
3. Pre-assembled parts for easy and fast installation
4. No need to drill into tile
5. Slotted for easy adjustment

Component List

Components	Quantity
A. Stainless Steel 304 hook	1
B. 6.3x65mm wood screw & EPDM washer	2
C. M8x25mm SUS 304 bolt & rail nut & SUS washer	1



MG-SS-FTH-01

Shingle Tile Roof Hook Series



MG-SS-STH-01



MG-SS-STH-02



MG-SS-STH-03



MG-SS-STH-04

Flat Tile Roof Hook Series



MG-SS-FTH-02



MG-SS-FTH-03



MG-SS-FTH-04



MG-SS-FTH-05